

JU**S**TIME



6371-A0-8000
Wall-Hung Toilet W/Toilet Seat & Cover



6371-A0-8000
Wall-Hung Toilet W/Toilet Seat & Cover



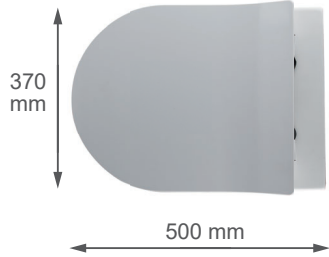
6371-K0-8000
Wall-Hung Toilet W/Toilet Seat & Cover



6371-A0-8000
Wall-Hung Toilet
W/Toilet Seat & Cover



6371-AC-8000
Toilet Seat & Cover



6371-AA-8000
Toilet Bowl



6371-K0-8000
Wall-Hung Toilet
W/Toilet Seat & Cc



6371-KD-8000
Toilet Seat & Cover



6371-KA-8000
Toilet Bowl

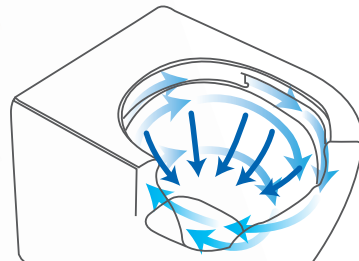
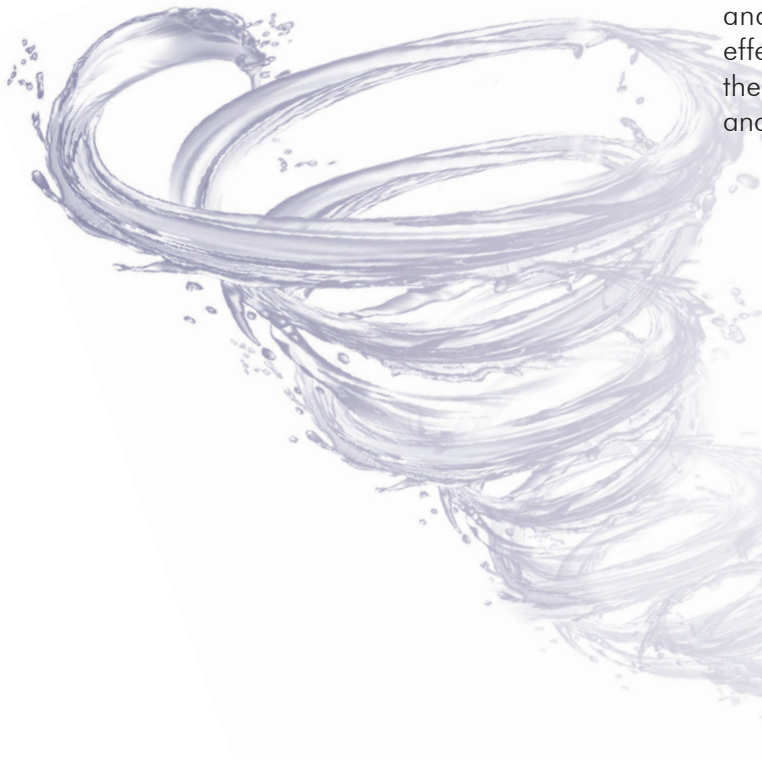




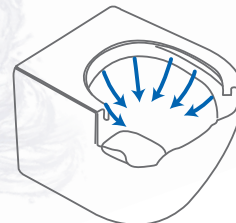
Vortex Flush

High-efficiency

Justime Vortex Flush system releases a powerful water stream inside the bowl and creates a whirlpool effect which effectively removes waste and cleans the surface and rim more thoroughly and quietly.



 Vortex flush



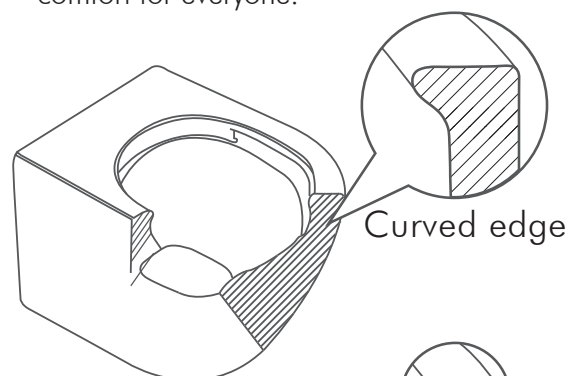
Traditional flush



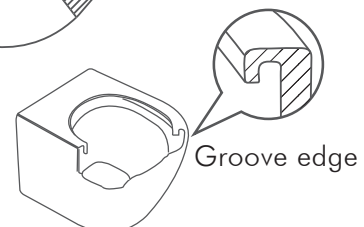
Rimless Design

Rim-free fixture

Since cleanliness and hygiene are major concerns, Justime offers a rimless WC bowl for guaranteed hygiene and easy daily maintenance. The secret is in full access to every nook and cranny due to the rim-free fixture. Say no to poor hygiene and bacteria spread. We create comfort for everyone.



Curved edge



Groove edge

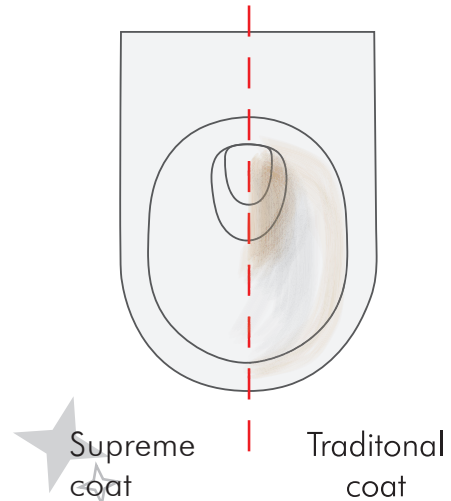


Smooth by Design



Clean and smooth

Rethink what's clean and smooth. Ultra-smooth. With the Supreme Coating applied to the bowl's surface we are able to reduce the grime & lime scale accumulation, enabling residues to flow away easier. Justime toilets are designed to be clean in every way. The ultra-smooth surface technology will keep the toilet clean longer than before.

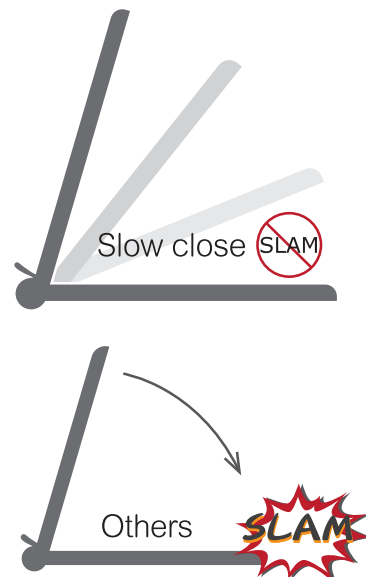


Silent operation



Damping buffer

Toilet seat is equipped with slam prevention technology and closes quietly and slowly just with a slight touch of a hand. Moreover, Justime toilet seats feature One-Touch Release hinges for a thorough and full cleaning.





360°Clean



No blind spot

Looking for a clean bathroom while saving precious space? Then Justime wall-mounted toilet is your perfect solution.

Traditional conventional toilets have a floor base which highly accumulates filth and dirt which then leads to bacteria growth and spread. Since the wall-hang toilets need less space than traditional one, it is more convenient to maintain your bathroom space clean.



Weight Resistance



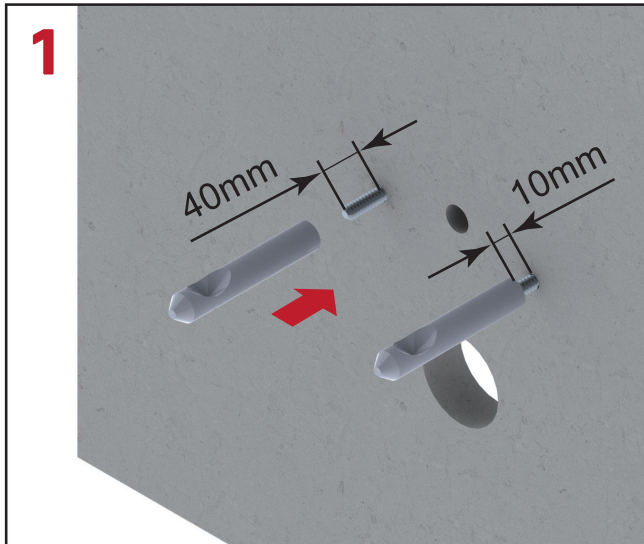
Weight Resistance

All the components are made of high-quality durable materials. Installation components are corrosion resistant and are able to withstand 400kg of weight resistance.

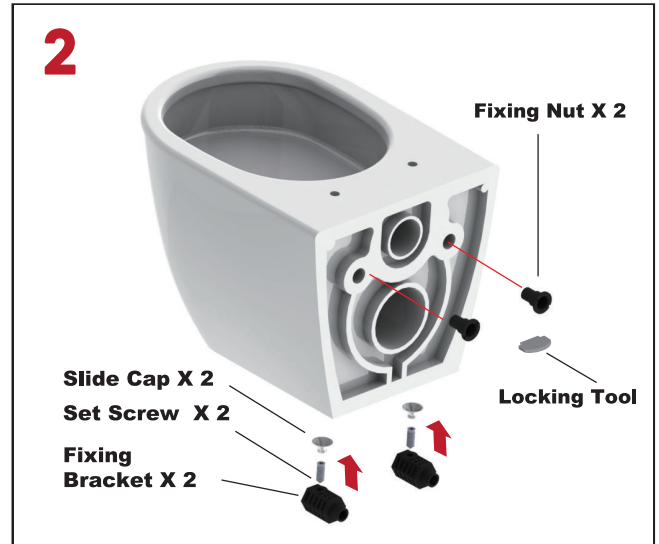


INSTALLATION INSTRUCTIONS

WALL-HUNG TOILET



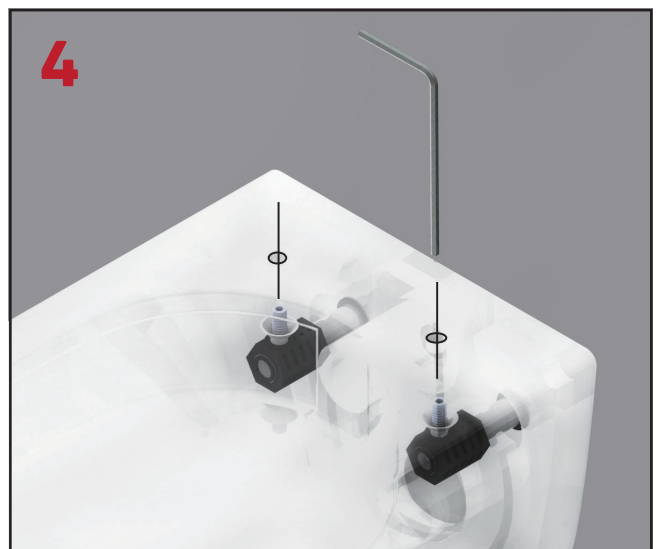
1. Available length of threaded rod from finished wall is 40mm, please cut the extra length before installing. **Fixing Rod** will be screwed to the threaded rod till 10mm from finished wall.
NOTICE: The recess of **Fixing Rod** should be faced upward.



2. Assemble the **Fixing Bracket**, **Set Screw**, and **Slide Cap** together, put the bracket kits from the bottom of **Toilet**.
(NOTICE: the Set Screw and Slide Cap should be faced upward), and then screw the **Fixing Nuts** with **Locking Tool** for assembling bracket kits securely to **Toilet**.



3. Slide the **Toilet** which has been assembled with two bracket kits to **Fixing Rods**.

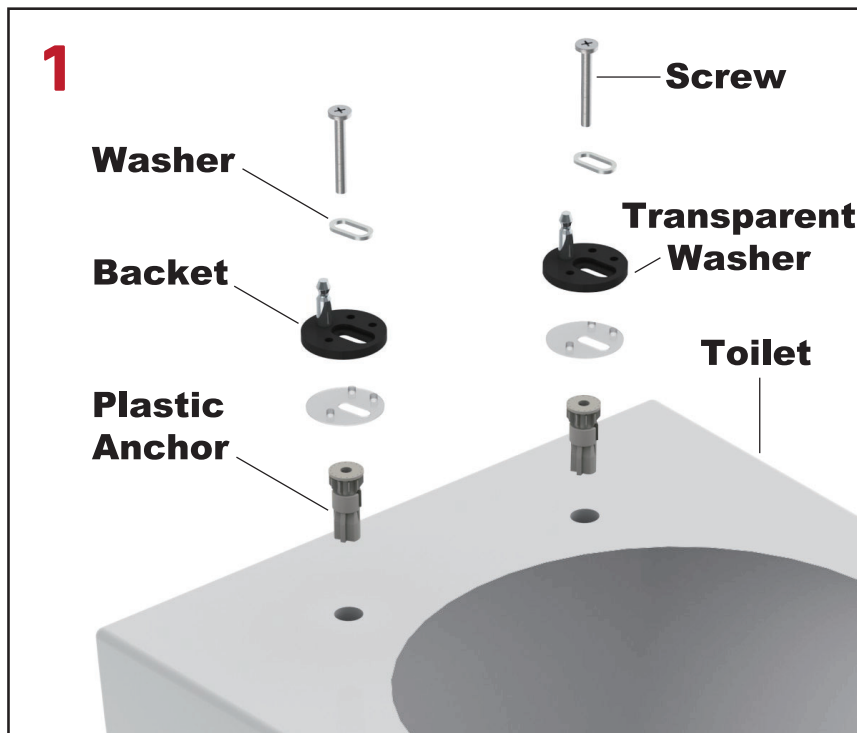


4. Tighten the **Set Screw** with provided **Hex key** to fix **Toilet** securely.



INSTALLATION INSTRUCTIONS

TOILET LID



1. Insert the **Plastic Anchors** into the installing holes on the toilet. Assemble the **Transparent Washer** and **Bracket** together, place the **Washer** to the oval hole of **Bracket**, and then fix to **Plastic Anchor** with **Screw**.



2. Complete the installation for two **Brackets** as step 1, adjust **Screws** to aim at 2 holes of **Toilet Lid**, and then tighten the **Screws** securely. Put two **Covers** onto the Brackets, and then press **Toilet Lid** on **Brackets** till hear the "CLICK" sound to complete the installation.